

CHERRY FOX SERIES HOT SELLING

ON-GRID / OFF-GRID / HYBRID

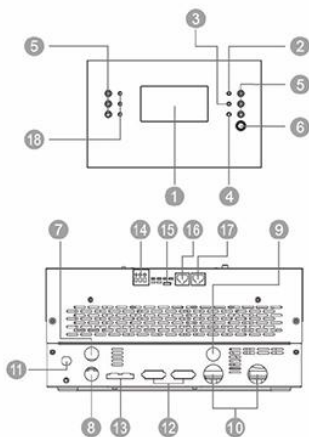
MAIN FEATURES

- > With grid tie and self-consumption feature.
- > Max can be 9pcs in parallel with optional kit for the 5KW.
- > Efficiently work with or without battery.
- > MPPT solar charge controller up to 6000W solar panel.
- > Built-in WIFI for mobile monitorin (Requires APP)
- > 5KW can off grid and on-grid
- > Compatible with (Li-ion, LifePo4 etc) batteries with BMS.
- > Battery Equalization.



CHERRY FOX SERIES TECHNICAL PARAMETER

SPECIFICATIONS		
Rated Power	CHERRY FO-3K	CHERRY FO-5K
INPUT		
Voltage	230VAC	
Voltage Range	176-280 VAC at 100% load	
	110-280 VAC at 50% load	
Frequency Range	50Hz/60Hz(Auto sensing)	
OUTPUT		
AC Voltage Regulation(Batt. Mode)	230VAC±3%	
Surge Power	6400VA for 5 sec	10400VA for 5 sec
Efficiency(Peak)	>95% (Rated R load, battery full charged)	
Transfer Time	10ms typical (UPS)	
	20ms typical (Appliances)	
Waveform	Pure sine wave	
BATTERY		
Battery Voltage	24 VDC	48 VDC
Floating Charge Voltage	27 VDC	54 VDC
Overcharge Protection	32 VDC	64 VDC
SOLAR CHARGER & AC CHARGER		
Solar Charger Type	MPPT	
Maximum PV Array Open Circuit Voltage	450VDC	
Maximum PV Array Power	4000W	6000W
MPP Range@ Operating Voltage	120-430VDC	120-430VDC
Maximum Solar Charge Current	80A	100A
Maximum AC Charge Current	60A	
PHYSICAL		
Dimension,D x W x H (mm)	492*303*129	471*303*147
Net Weight(kgs)	9.6	11.97
Communication Interface	Removable OTG USB/RS232/RS458/BLE/Dry-contact,BMS interface, 9pcs in parallel (only 5KVA)	
OPERATING ENVIRONMENT		
Humidity	5% to 95% Relative Humidity(Non-condensing)	
Operating Temperature	-10°C to 50°C	
Storage Temperature	-15°C to 60°C	
*Product specifications are subject to change without further notice		



1. LCD display
2. Status indicator
3. Charging indicator
4. Fault indicator
5. Function buttons
6. Power on/off switch
7. AC input
8. AC output
9. PV input
10. Battery input
11. Circuit breaker
12. Parallel communication cable (only for parallel model)
13. Current sharing cable (only for parallel model)
14. Dry contact
15. USB communication port
16. BMS communication port: CAN, RS-485 or RS-232
17. RS-232 communication port
18. LED indicators for USB function setting / Output source priority timer / Charger source priority setting